

SUN UP TO 1100 KG, 24 VDC WITH INTEGRATED NIGHT LIGHT SYSTEM

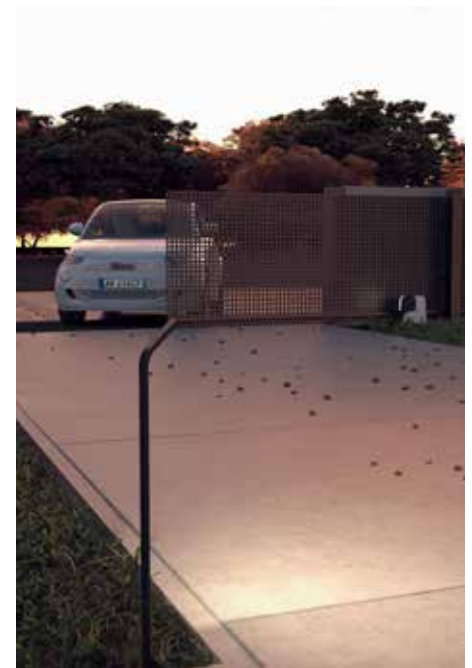


- Stylish design screwless at sight
- Extremely silent mechanics
- Built-in LED light
- High technological materials resistant to weather conditions
- SUN FAST:** Opening speed up to 40 cm/sec

NIGHT LIGHT SYSTEM

Concept that combines the comfort of an automatic gate with the use of LED lighting to illuminate your entrance over night


- + **SAFETY** Ease the night vision
- + **COMFORT** Defines the driveway passage during the night
- + **SAVING** Allows lower power consumption



MODELS

CODE	DESCRIPTION	PCS PALLET
SUN4024	For sliding gates up to 400 Kg, 24 Vdc motor, control unit 14A with slowdown and electric limit switch	36
SUN7024	For sliding gates up to 700 Kg, 24 Vdc motor, control unit 14A with slowdown and electric limit switch	36
SUN11024	For sliding gates up to 1100 Kg, 24 Vdc motor, control unit 14A with slowdown and electric limit switch	18
SUN5024F	For sliding gates up to 500 Kg, 24 Vdc fast motor, control unit 14A with slowdown and magnetic limit switch	18

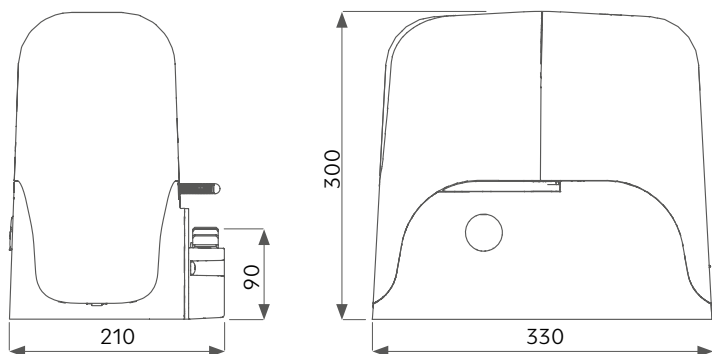
TECHNICAL DATA

		SUN4024	SUN7024	SUN11024	SUN5024F
MECHANICAL DATA					
speed	cm/s	26*	25*	20*	40*
torque	Nm	18	26	38	23
working cycle	%	80	80	80	80
ELECTRICAL DATA					
control board		14A	14A	14A	14AF 
power	Vac	230	230	230	230
consumption	A	1,1	1,5	1,8	1,3
absorbed power	W	250	345	360	300
capacitor	µF	-	-	-	-
thermoprotection	°C	-	-	-	-
integrated lights		yes	yes	yes	yes
GENERIC DATA					
protection degree	IP	44	44	44	44
dimensions (L - D - H)	mm	330 - 210 - 300			
weight	kg	13	13,8	14,5	13,5
working temperature	°C	-20 + 55	-20 + 55	-20 + 55	-20 + 55
gate maximum weight	Kg	400	700	1100	500

* variable according to the gate weight

Models of 700 kg and upward are recommended for condominium installations

DIMENSIONS



ACCESSORIES



RN800 *

M4 nylon rack L=1000 mm
for gates up to 800 kg

€/m



CREM-8 **

M4 zinc coated rack 30x8 mm
L=1000 mm

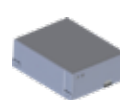
€/m



CREM-12 **

M4 zinc coated rack 30x12 mm
L=1000 mm

€/m



KBP

Kit of 1.3 Ah lead battery and
battery charger

PC 1



550CABL045A00 ***

Special cable for Eclipse flash
light RG174 50 Ohm + 4 x 0,50
mm² (100m)

PC 1



KCS

Unlock kit with key

PC 1



TWIN

Interface for master/slave
function (SUN5024F, SUN7024
and SUN11024)

PC 1



DYL

Programming module
Cable length
120 cm (only 14A board)

PC 1



KUBEPRO

Wireless programming module

PC 1



KUBE

Wireless controlling module for
end user

PC 1

* pack of 10 pcs

** pack of 4 pcs

*** it is not recommended to use a connection longer than 4 m to avoid sensible loss of reach