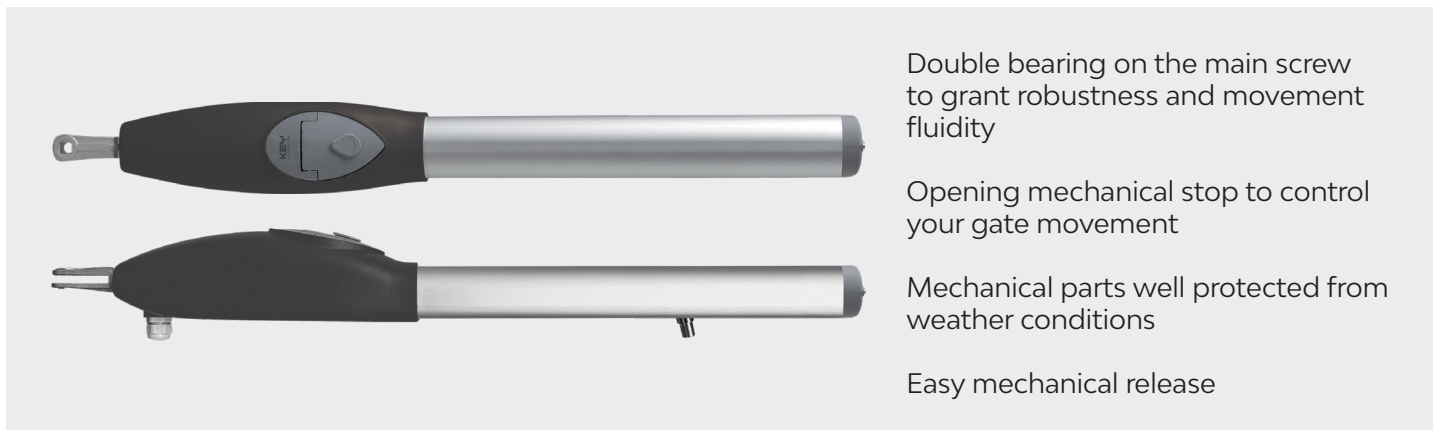


# STAR 500



**ELECTROMECHANICAL GEAR MOTOR FOR SWING GATES WITH LEAVES UP TO 5 M, 24 VDC AND 230 VAC**



Double bearing on the main screw to grant robustness and movement fluidity

Opening mechanical stop to control your gate movement

Mechanical parts well protected from weather conditions

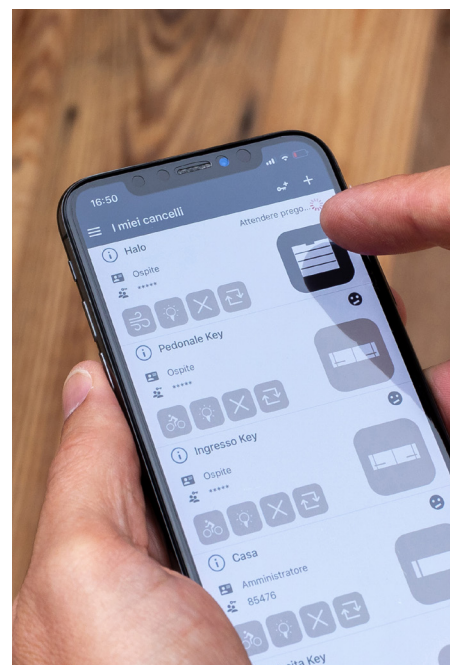
Easy mechanical release

## NIGHT LIGHT SYSTEM

**Concept that combines the comfort of an automatic gate with the use of LED lighting to illuminate your entrance over night**

- + SAFETY
- + COMFORT
- + SAVING




Ease the night vision  
 Defines the driveway passage during the night  
 Allows lower power consumption



### TECHNICAL DATA

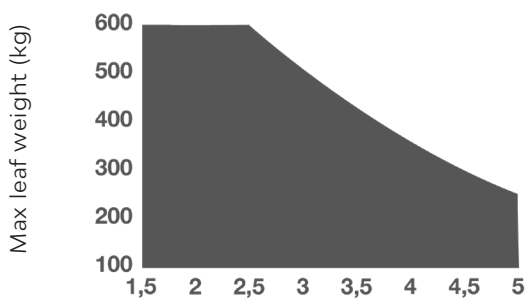
		PS-400FA	PS400-24FA
<b>MECHANICAL DATA</b>			
speed	cm/s	1,4	2,7
pulling force	N	1800	1400
working cycle	%	30	80
opening time at 90°	sec	35	25-35
<b>ELECTRICAL DATA</b>			
control board		CT202	14AB2
power	Vac	230	-
	Vdc	-	24
consumption	A	1,1	5
absorbed power	W	250	120
capacitor	µF	10	-
thermoprotection	°C	150	-
<b>GENERIC DATA</b>			
protection degree	IP	44	44
dimensions (L - P - H)	mm	995 - 108 - 110	995 - 108 - 110
weight	kg cad	9,5	8,8
working temperature	°C	-20 + 55	-20 + 55
leaves maximum weight	Kg	600	600

## MODELS

CODE	DESCRIPTION	PCS PALLET
<b>PS-400FA</b>	For swing gates with maximum length 5 m, 230 Vac motor, with opening mechanical stop	25
 <b>PS400-24FA</b> 	For swing gates with maximum length 5 m, 24 Vdc motor, with opening mechanical stop, with encoder	25 

 INDICATES PRODUCTS WITH DELIVERY DATES WITHIN 6 WEEKS

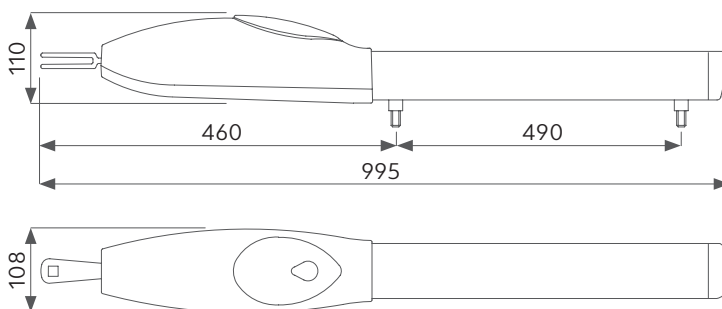
## LIMIT USE



Max leaf length (m)

Gate shape and height and weather conditions can considerably reduce the values shown above, in the graph. 230 Vac motors are suggested for windy areas.

## DIMENSIONS



## ACCESSORIES

 <b>ELS-C</b> Horizontal 12 V electrolock	 <b>FC-PS</b> Mechanical closing stop	 <b>STPOAVS</b> Rear welded bracket	 <b>STANAV</b> Front welded bracket	 <b>14AB2</b> Control unit in box for two 24 Vdc motors
PC 1	PC 1	PC 1	PC 1	PC 1
 <b>CT202</b> Control unit in box for two 230 Vac motors	 <b>DYL</b> Programming module Cable length 120 cm (only 14A board)	 <b>KUBE PRO</b> Wireless module for programming	 <b>KUBE</b> Wireless controlling module for end user	 <b>RX4K</b> 4-channel plug-in receiver, 433MHz, for CT202 control unit
PC 1	PC 1	PC 1	PC 1	PC 1