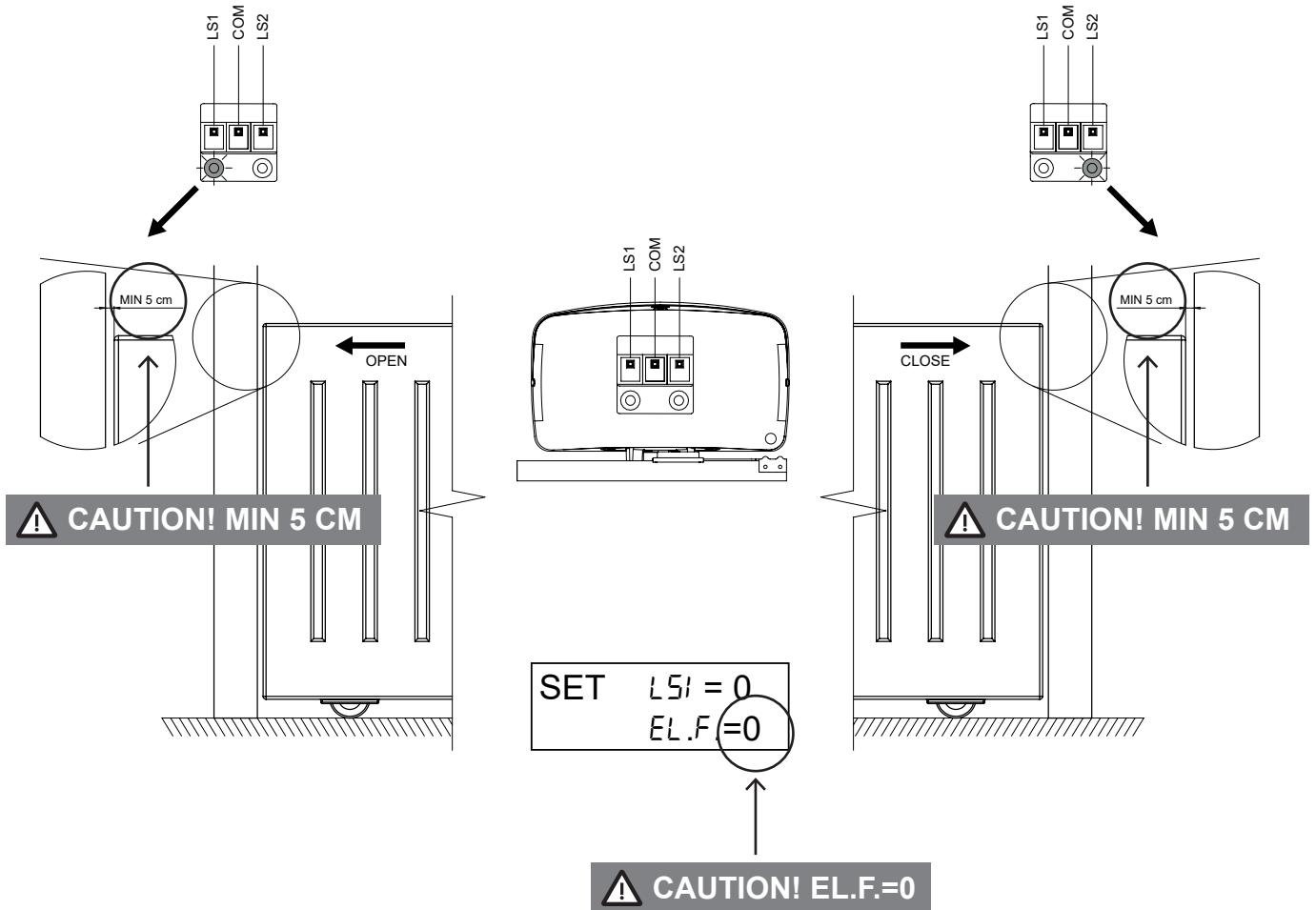
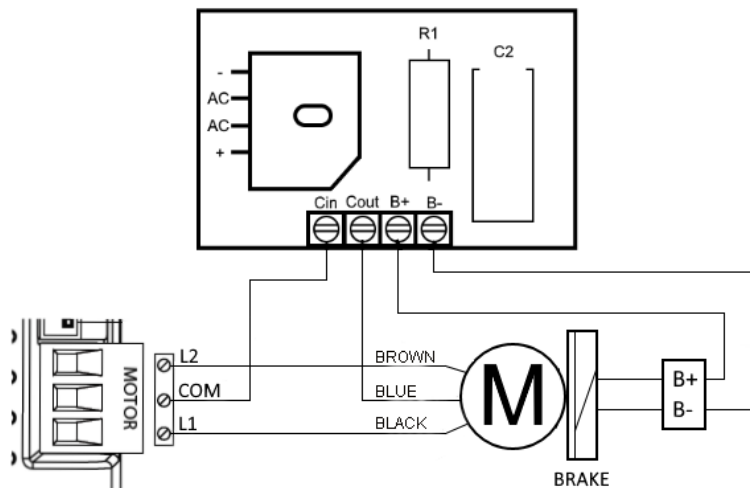


1. LIMIT SWITCH SETTING



2. WIRING DIAGRAM



3. MECHANICAL ELECTRO-BRAKE

